

CONDENSER TUBE EXPANDER



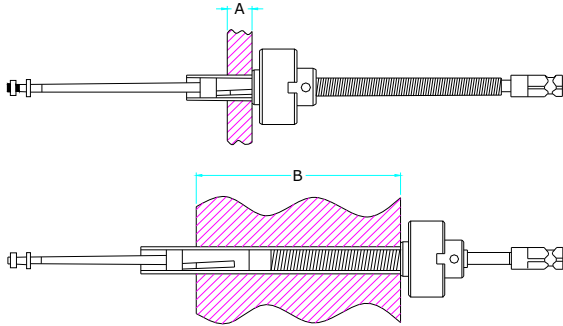
TUBE TOOLS

✦ 'B1300' SERIES

Tube O. D.
3/8"

FEATURES:

- Use - Oil coolers, Radiators, & other apparatus with small diameters tubes & thick tube sheets.



Sizes Available : 3/8"
Tube Internal diameter : 5.8mm (0.231") to 8.4mm (0.331")
Roller Length of Tube Expander: 3/4" (19.05mm) & 1.1/4" (31.75mm)

TUBE EXPANDERS FITTED WITH ROLLER LENGTH	FOR TUBE SHEET ADJUSTABLE RANGE	
	MINIMUM A	MAXIMUM B
(19.05mm) 3/4"	(19.05mm) 3/4"	(76.20mm) 3"
(31.75mm) 1.1/4"	(31.75mm) 1.1/4"	(88.90mm) 3.1/2"

Tube O.D. (Mm) inch	Tube Thickness		Tube I. D.		Minimum I. D. Tool Enters		Maximum Expansion of Tool		EXPANDER with (19.05mm) 3/4" Long rollers			EXPANDER with (31.75mm) 1.1/4" Long rollers			Ratchet Size Square Inch	
	Bwg	Inch	Mm	Inch	Mm	Inch	Mm	Inch	Mm	Complete Tool No.	Roller Set No.	Mandrel No.	Complete Tool No.	Roller Set No.		Mandrel No.
(9.53) 3/8	15	.072	1.82	.231	5.8	.230	5.8	.265	6.7	B1315	1315	M-86	B1316	1316	M-86	1/4
	16	.065	1.65	.245	6.2	.240	6.1	.275	6.9	B1319	1319	M-86	B1320	1320	M-86	
	17	.058	1.47	.259	6.5	.255	6.4	.289	7.3	B1317	903	M-88	B1318	904	M-88	
	1/4	18	.049	1.24	.277	7.0	.272	6.9	.307	7.8	B1301	903	M-80	B1302	904	M-80
		19	.042	1.06	.291	7.3	.286	7.2	.320	8.1	B1303	903	M-81	B1304	904	M-81
		20	.035	0.88	.305	7.7	.300	7.6	.334	8.4	B1305	907	M-82	B1306	908	M-82
	1/4	21	.032	0.81	.311	7.9	.306	7.7	.340	8.6	B1307	907	M-83	B1308	908	M-83
		22	.028	0.71	.319	8.1	.314	7.9	.349	8.8	B1309	909	M-83	B1310	910	M-83
		23	.025	0.63	.325	8.2	.320	8.1	.357	9.0	B1311	911	M-83	B1312	912	M-83
	24	.022	0.55	.331	8.4	.320	8.1	.357	9.0	B1311	911	M-83	B1312	912	M-83	

BHARTIYA INDUSTRIES

WORKS: PLOT NO. 268, DIGVIJAY INDUSTRIAL ESTATE NO.2.
 UPAVAN, POKHARAN ROAD NO.1, THANE (W) M.S. INDIA - 400603
 PH.: +91-22-2585 4509, 90290-05461 FAX: +91-22-2588 3527.
 E-mail : bharatflex@yahoo.com, spradip@tube-cleaner.co.in
 Website: www.bharatiyaindustries.com, www.tube-cleaner.co.in

AUTHORISED DEALER