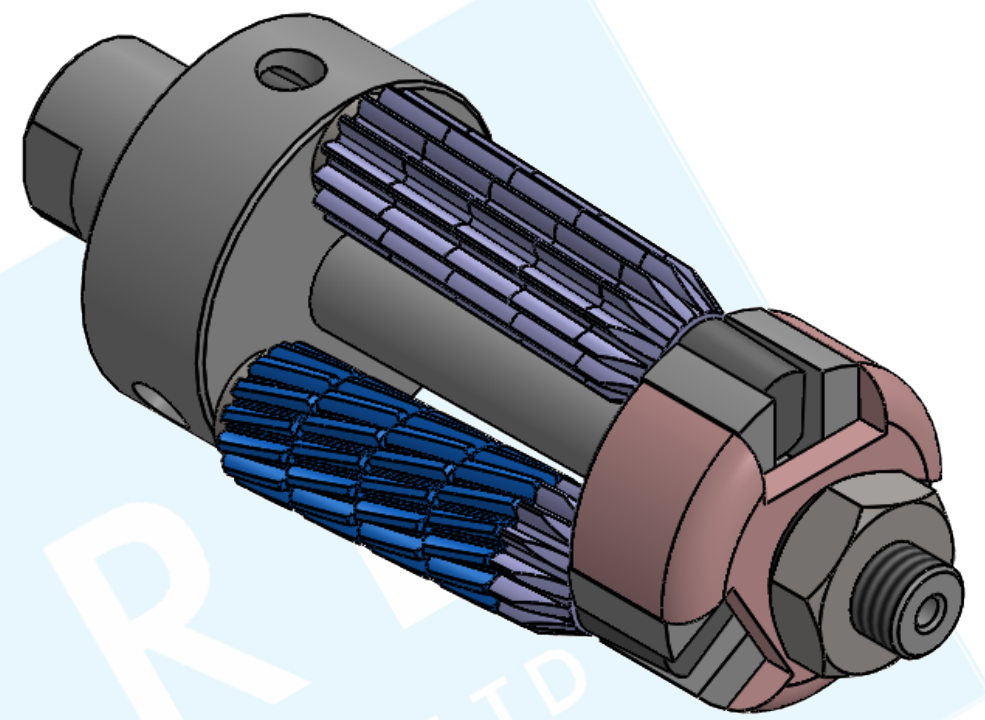
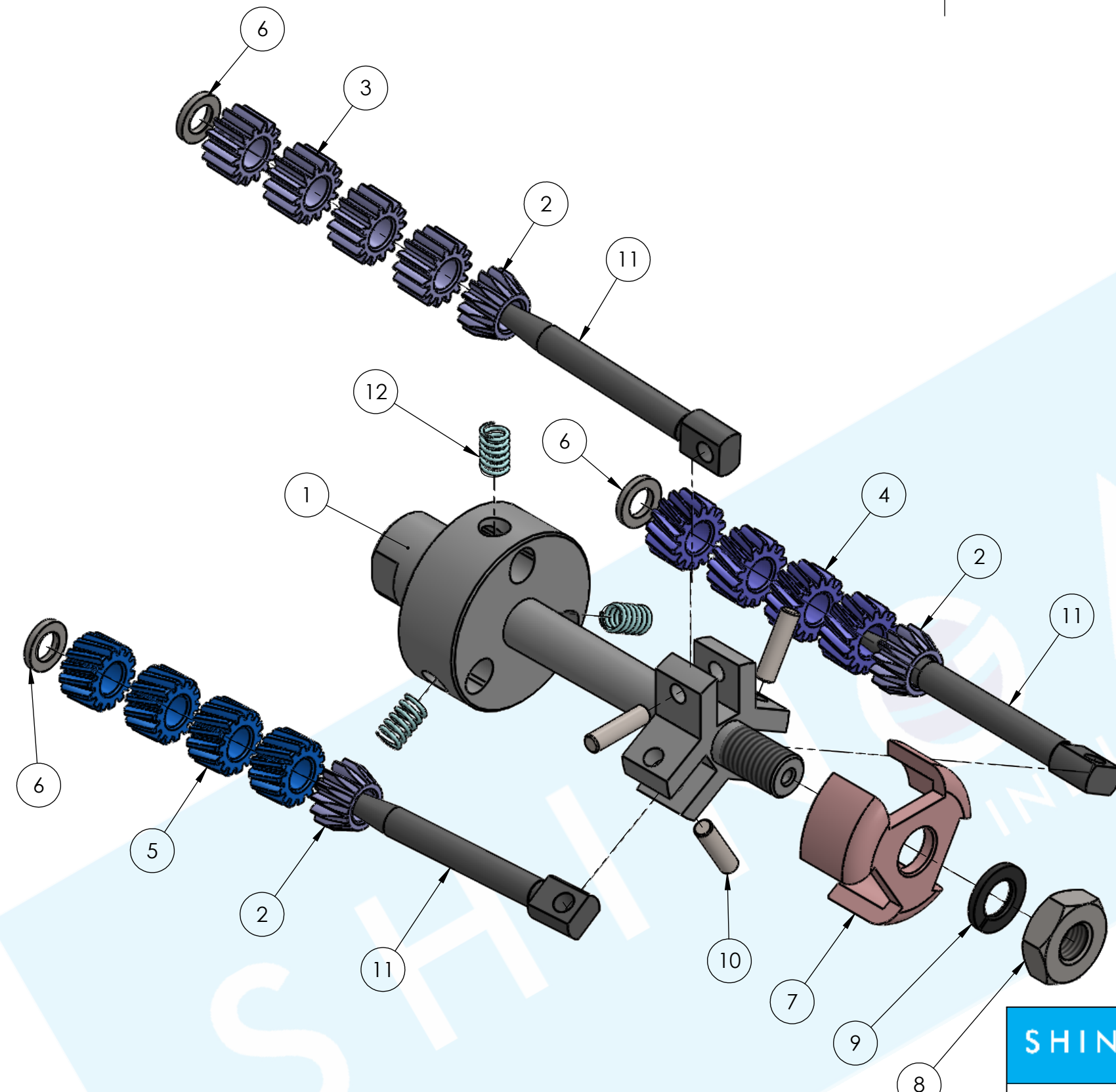


ALL DIMENSIONS IN MM UNLESS SPECIFIED OTHERWISE
DIM L FOR OPEN ANGULAR TOLERANCES IS THE SHORTER SIDE OF ANGLE



ITEM NO.	DESCRIPTION	QTY.
1	BODY	1
2	BEVEL CUTTER	3
3	STRAIGHT CUTTER	4
4	RIGHT-HAND CUTTER	4
5	CAP	4
6	WASHER	3
7	CAP	1
8	NUT	1
9	SPRING WASHER	1
10	PIN	3
11	ARM	3
12	SPRING	3

SHINGARE INDUSTRIES PVT. LTD.	
OPEN TOLERANCE LINEAR DIMS.	
> 0.5-6.0	+/- 0.1
> 6.0-30	+/- 0.2
> 30-120	+/- 0.3
> 120-315	+/- 0.5
> 315-1000	+/- 0.8
> 1000-2000	+/- 1.2
> 2000-4000	+/- 2.0
OPEN TOLERANCE ANG. DIMS.	
L > 0.0-10	+/- 1°
L > 10-50	+/- 30'
L > 50-120	+/- 20'
L > 120	+/- 10'

SHINGARE INDUSTRIES PVT.LTD.					
MATERIAL -	WEIGHT (grams) -	DRG.	GSP	DATE	29-04-2021
-	-	CHK.	TBK	DATE	29-04-2021
		APP.	PSS	DATE	29-04-2021
DESCRIPTION - CT SERIES-TOOL HEAD CUTTER EXPLODED VIEW (EXPORT)			HARDNESS:-	PROJECTION -	
DWG. NO. - TC-CTR-ASSM-EXP-02			SCALE - 1:1	REV. NO. - R0	
CONFIDENTIALITY NOTE					
The information contained in this document is confidential, privileged and only for the information of the intended recipient and may not be used, edit or redistributed without the prior written consent of SHINGARE INDUSTRIES PVT. LTD.					